

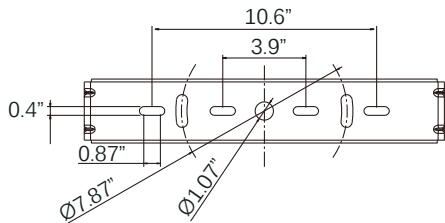
# ADVANCED HIGH CEILING Bolt Series - Outdoor / Natatorium Bracket



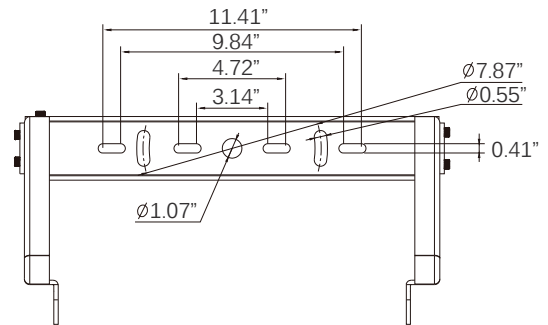
## IMPORTANT SAFETY INFORMATION. READ AND FOLLOW ALL SAFETY INSTRUCTIONS

IMPORTANT SAFETY INFORMATION. READ AND FOLLOW ALL SAFETY INSTRUCTIONS. Before wiring to power supply and during servicing or relamping, turn off power at fuse or circuit breaker. All servicing or relamping must be performed by qualified service personnel. Product must be grounded to avoid potential electric shock or other potential hazard. Product must be at locations and at heights and in a manner consistent with its intended use, and in compliance with Electrical Code and local codes.

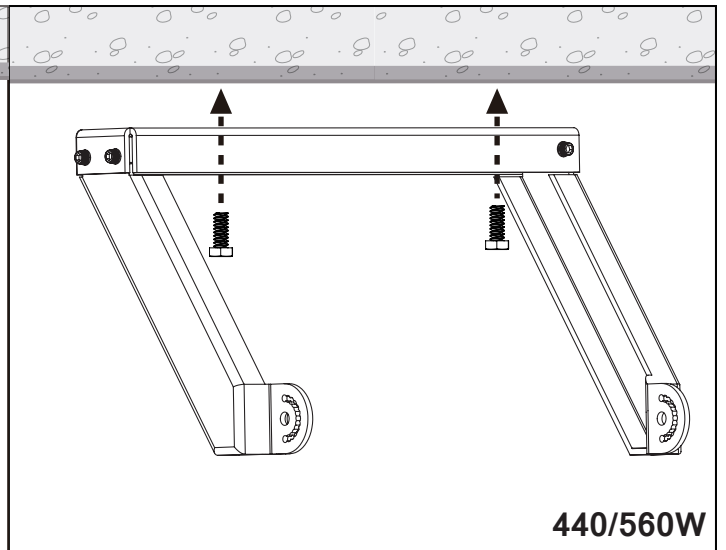
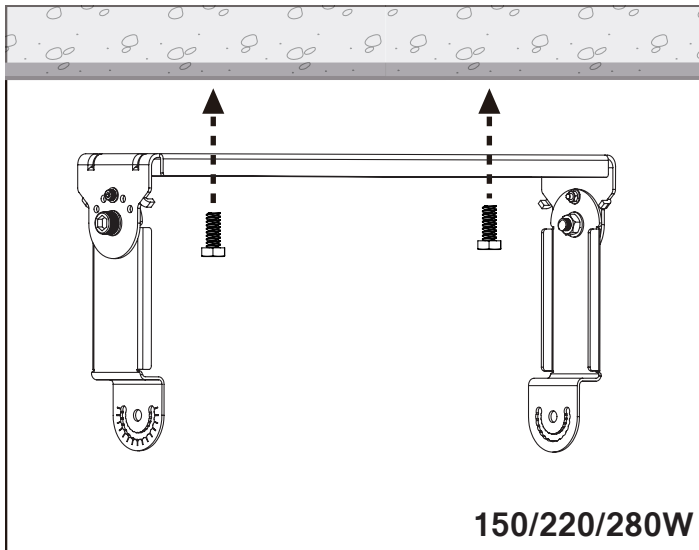
**SAVE THESE INSTRUCTIONS FOR FUTURE REFERENCE.**



150/220/280W Outdoor / Natatorium Bracket



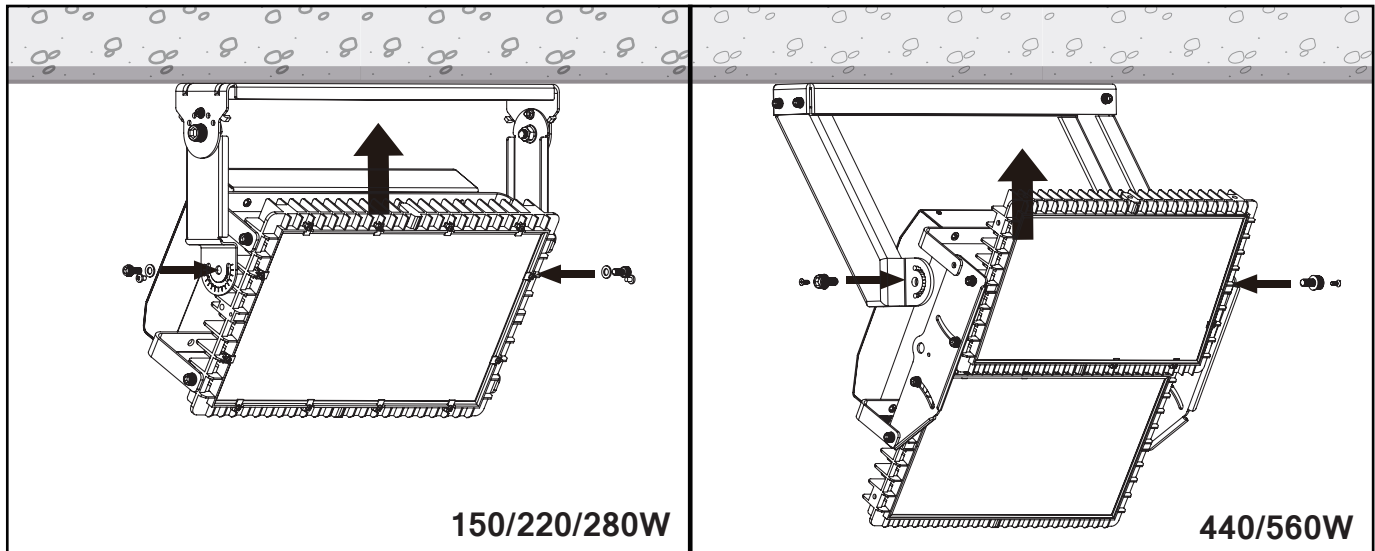
440W/560W Outdoor / Natatorium Bracket



### Step 1

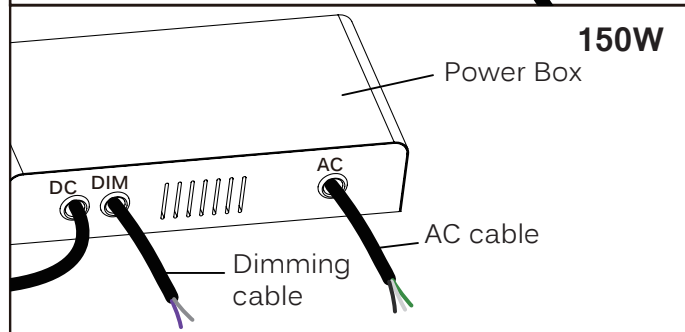
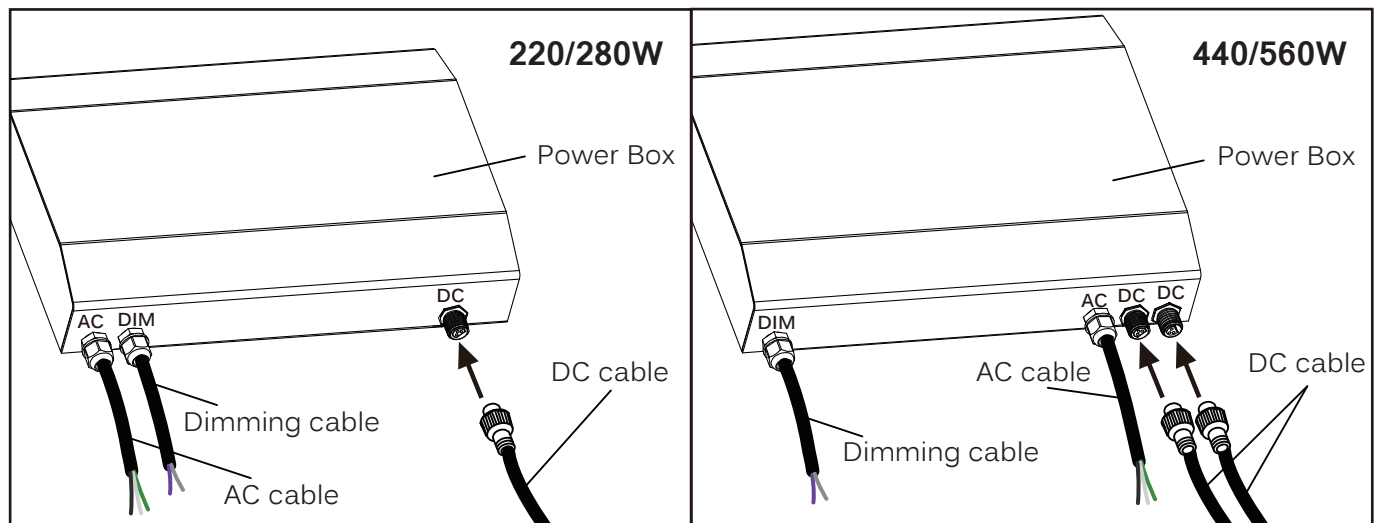
Secure floodlight bracket to the ground with mounting hardware that is sufficient to support weight of LED fixture and power box.

# ADVANCED HIGH CEILING Bolt Series - Outdoor / Natatorium Bracket



## Step 2

Secure LED fixture to bracket with provided screws.

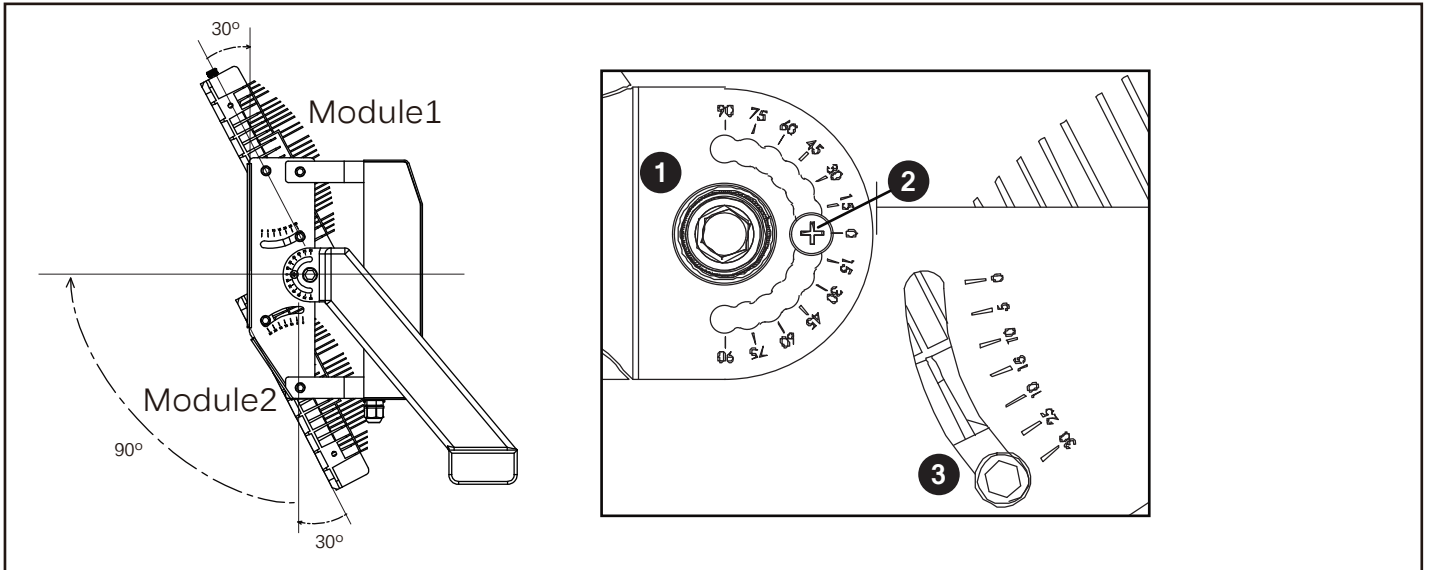


## Step 3

Connect DC Cable to the DC Connector on powerbox.

**AC / Dimming cable: standard length is 6ft.**

# ADVANCED HIGH CEILING Bolt Series - Outdoor / Natatorium Bracket

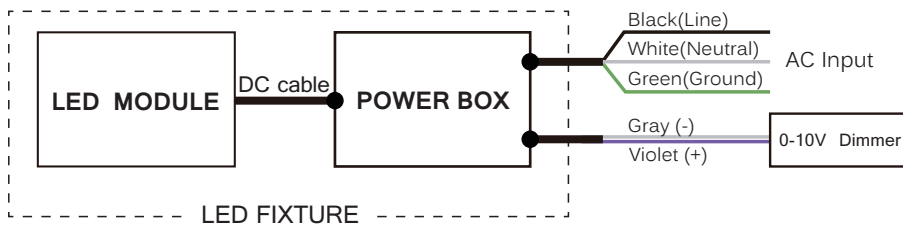


## Step 4

Loosen ① and ② to rotate LED fixture; loosen ③ to tilt module.

## Wiring Diagram

Standard 0-10V Dimming (BTS-150/220/280-STV)



Standard 0-10V Dimming (BTS-440/560-STV)

