

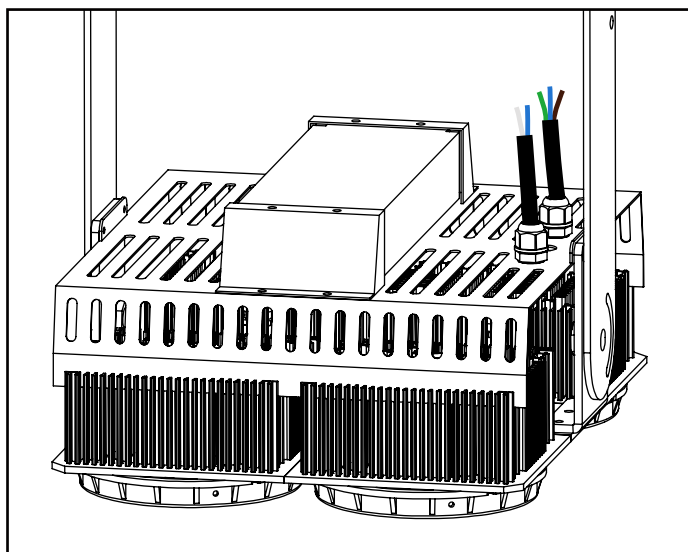
ADVANCED HIGH CEILING Tetriss Series



IMPORTANT SAFETY INFORMATION. READ AND FOLLOW ALL SAFETY INSTRUCTIONS

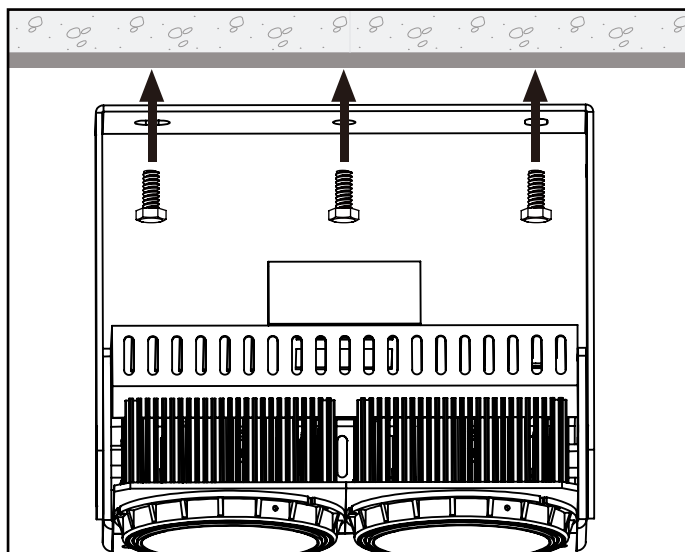
IMPORTANT SAFETY INFORMATION. READ AND FOLLOW ALL SAFETY INSTRUCTIONS. Before wiring to power supply and during servicing or relamping, turn off power at fuse or circuit breaker. All servicing or relamping must be performed by qualified service personnel. Product must be grounded to avoid potential electric shock or other potential hazard. Product must be at locations and at heights and in a manner consistent with its intended use, and in compliance with Electrical Code and local codes.

SAVE THESE INSTRUCTIONS FOR FUTURE REFERENCE.



Step 1

Connect power input wires with corresponding blue/brown/green wires using attached connector at the end of the wires.

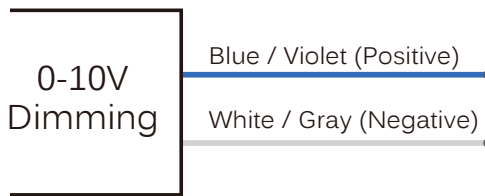
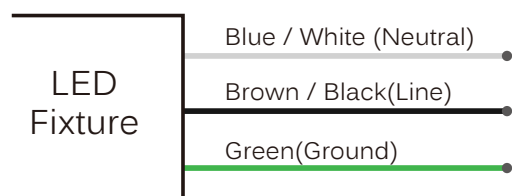


Step 2

Secure bracket to level surface with mounting hardware that is sufficient to support weight of LED fixture and power box.

Wiring Diagram

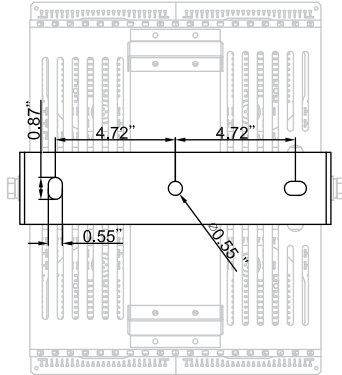
0-10V



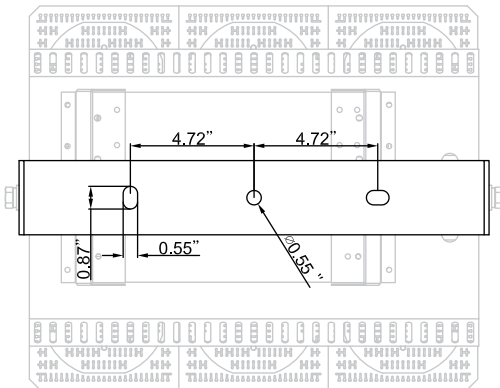
ADVANCED HIGH CEILING Tetriss Series



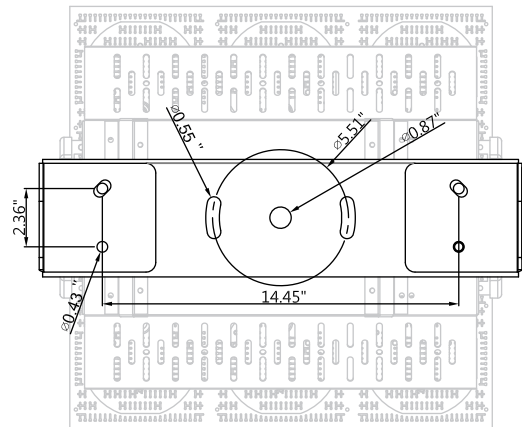
STANDARD BRACKET DIMENSIONS



280W (4 Modules)



420W (6 Modules)

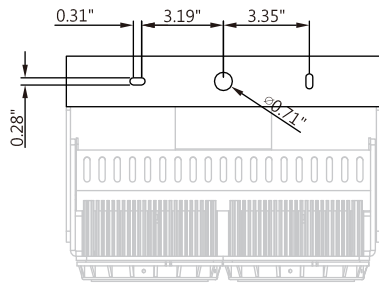


560W (8 Modules)

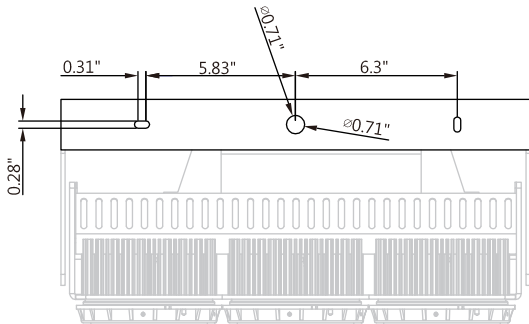
ADVANCED HIGH CEILING Tetriss Series



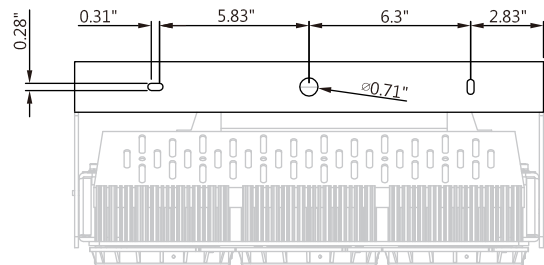
FLOODLIGHT BRACKET DIMENSIONS



280W (4 Modules)



420W (6 Modules)



560W (8 Modules)