

ADVANCED HIGH CEILING

Dext 2.0 Series - Outdoor/Natatorium



High Lumen Economical Luminaire with 16,500 - 34,800 lumen output, perfectly suited for 400/500W Metal Halide replacements.

Quantity	Type
Project	Note

Electrical System

- Downlight
 - 17400 lm (150W)
 - 23200 lm (200W)
 - 34800 lm (300W)
- Power Input: Universal (120-277V)
- Operating Temperature: -40°F~112°F
- Surge Protection: standard is 4KV

LED Technology

- 3000K, 4000K, 5000K
- 75 CRI, 85 CRI
- Beam Angle: 50°, 100°
- Rated Life > 60,000 Hours (L70)

Advanced Dimming

(Proprietary VX Driver is incorporated to all dimming options for video flicker-free lighting)

- Standard 0-10V: dims to 10%

Housing

- Diameter: Ø14.5" (368mm)
- Height: 10.25" (260mm)
- Material: High Pressure Die-Cast Aluminum, PC
- Weight: 17.64lbs

Mounting

- Stem 2ft or 4ft; 45° Swivel Canopy Included
- Adjustable Aircraft Cable 10ft

Warranty

- 5 year limited warranty

Listing

- ETL Wet Location Listed
- IP65



Dext 2.0 Series - Outdoor/Natatorium



How To Specify:

Ordering Example: **DS2-200-507-UNV-STV-100-WHT-ST2-WG**

Model

DS2

DS2
Dext 2.0 Series

Wattage

150 150W
200 200W
300 300W

CCT / CRI

308 3000K / CRI85
408 4000K / CRI85
507 5000K / CRI75

Voltage

UNV 120-277V

Dimming

NOD Non-Dimming
STV Standard 0-10V dims to 10%

Beam Angle

50 50°
100 100°

*Beam Angle Options are only available for Downlight.
*Uplight Beam Angle Fixed at 100°.

Finish

WHT White
BLK Black

Mounting

ST2 Stem 2ft
ST4 Stem 4ft
AD10 Adjustable Cable 10ft

Accessories

SPD¹ Surge Protector
WG² Wire Guard

¹ Surge protector for up to 10KV. Applicable for unstable mains or facilities using high power machineries.
² Please factor in change in lumen output of 14%.

Rating

OUT¹ Outdoor Rating
NAT² Natatorium Rating

¹ Outdoor rating: Coating and wiring will be changed to high UV resistant and corrosion resistant materials for long term operation in outdoor environments.
² Natatorium rating: Coating and sealant will be changed to high corrosion resistant materials to prevent damage from long term exposure to chlorine vapors.

Delivered Lumens*

Downlight

Wattage	150W	200W	300W
CCT	Beam Angle: 50°		
5000K	17400 lm	23200 lm	34800 lm
4000K	16950 lm	22600 lm	33900 lm
3000K	16500 lm	22000 lm	33000 lm

*Tolerance ± 8%

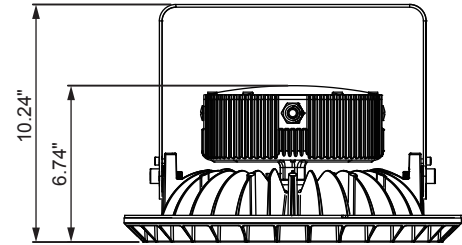
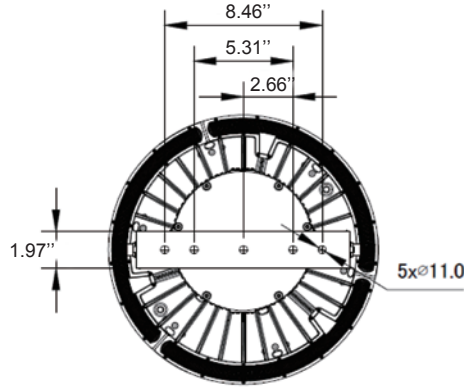
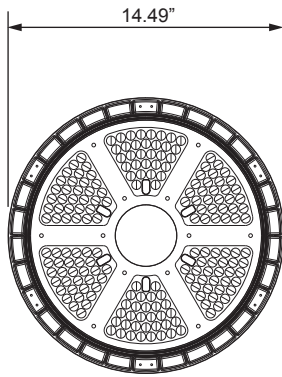
Current Consumption

Wattage	120V	277V
150W	1.52A	0.66A
200W	2.03A	0.88A
300W	3.05A	1.32A

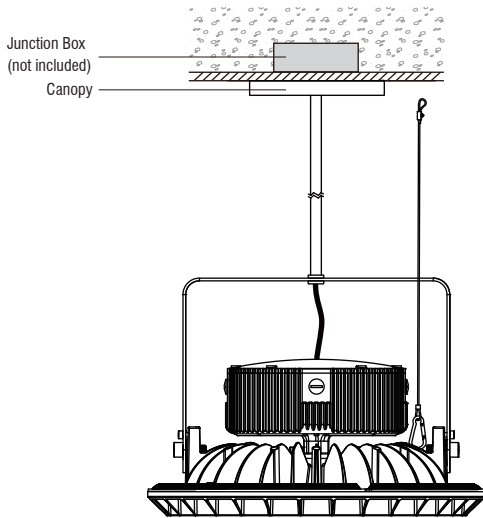
Dext 2.0 Series - Outdoor/Natatorium



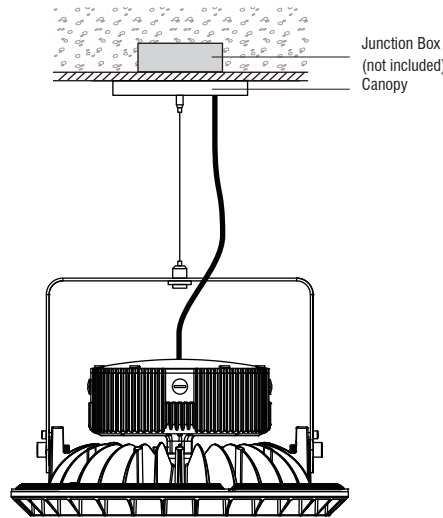
Dimensions



Mounting Options

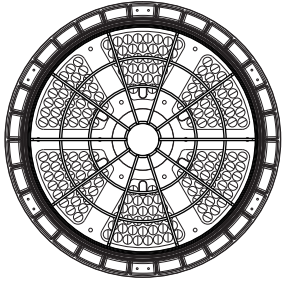


Stem



Adjustable Aircraft Cable

Accessory



Wire Guard