

ADVANCED HIGH CEILING

Dext 2.0 Series - Standard



High Lumen Economical Luminaire with 16,500 - 34,800 lumen output, perfectly suited for 400/500W Metal Halide replacements.

| | |
|----------|------|
| Quantity | Type |
| Project | Note |

Electrical System

- Downlight
 - 17400 lm (150W)
 - 23200 lm (200W)
 - 34800 lm (300W)
- Uplight
 - 2320 lm (20W)
- Power Input: Universal (120-277V)
- Operating Temperature: -40°F~112°F
- Surge Protection: standard is 4KV

LED Technology

- 3000K, 4000K, 5000K
- 75 CRI, 85 CRI
- Beam Angle: 50°, 100°
- Rated Life > 60,000 Hours (L70)

Advanced Dimming

(Proprietary VX Driver is incorporated to all dimming options for video flicker-free lighting)

- Standard 0-10V: dims to 10%

Housing

- Diameter: Ø14.5" (368mm)
- Height: 10.25" (260mm)
- Material: High Pressure Die-Cast Aluminum, PC
- Weight: 17.64lbs

Mounting

- Stem 2ft or 4ft; 45° Swivel Canopy Included
- Adjustable Aircraft Cable 10ft

Warranty

- 5 year limited warranty

Listing

- ETL Listed



Dext 2.0 Series - Standard



How To Specify:

Ordering Example: **DS2-200-507-UNV-STV-100-WHT-ST2-UPL**

Model

DS2

DS2
Dext 2.0 Series

Wattage

150 150W
200 200W
300 300W (Downlight Only)

CCT / CRI

308 3000K / CRI85
408 4000K / CRI85
507 5000K / CRI75

Voltage

UNV 120-277V

Dimming

NOD Non-Dimming
STV¹ Standard 0-10V dims to 10%

¹ Option is not compatible with **OCC**

Beam Angle

50 50°
100 100°

*Beam Angle Options are only available for Downlight.
*Uplight Beam Angle Fixed at 100°.

Finish

WHT White
BLK Black

Mounting

ST2 Stem 2ft
ST4 Stem 4ft
AD10 Adjustable Cable 10ft

Accessories

SPD¹ Surge Protector
UPL 20W Uplight Module
WG² Wire Guard
OCC³ Occupancy Sensor

¹ Surge protector for up to 10KV. Applicable for unstable mains or facilities using high power machineries.
² Please factor in change in lumen output of 14%.
³ Option is ONLY compatible with NOD, MUST order with Wire Guard.

Delivered Lumens*

Downlight

| Wattage | 150W | 200W | 300W |
|-----------------|----------|----------|----------|
| Beam Angle: 50° | | | |
| CCT | | | |
| 5000K | 17400 lm | 23200 lm | 34800 lm |
| 4000K | 16950 lm | 22600 lm | 33900 lm |
| 3000K | 16500 lm | 22000 lm | 33000 lm |

*Tolerance ± 8%

Uplight

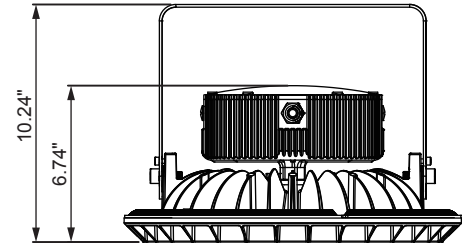
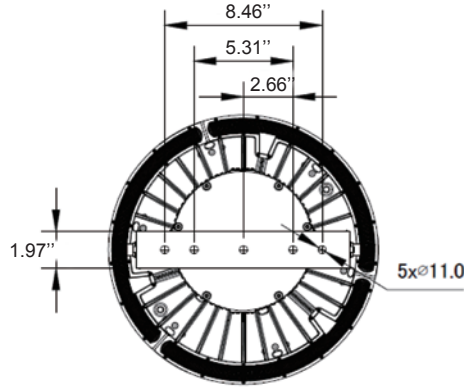
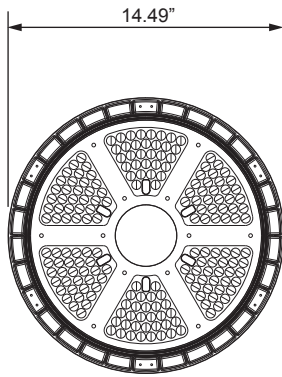
| Wattage | 20W |
|------------------|---------|
| Beam Angle: 100° | |
| CCT | |
| 5000K | 2320 lm |
| 4000K | 2260 lm |
| 3000K | 2200 lm |

Current Consumption

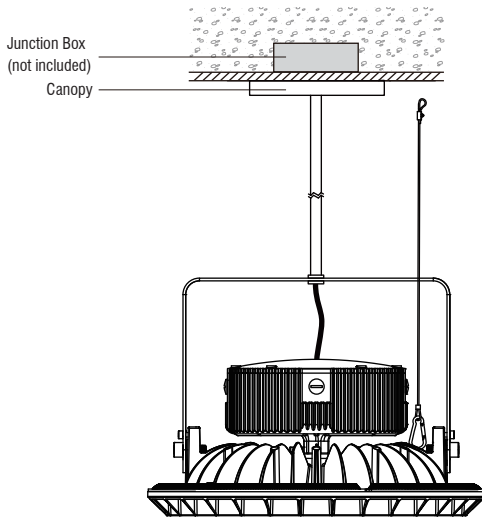
| Wattage | 120V | 277V |
|---------|-------|-------|
| 150W | 1.52A | 0.66A |
| 170W | 1.73A | 0.75A |
| 200W | 2.03A | 0.88A |
| 220W | 2.23A | 0.97A |
| 300W | 3.05A | 1.32A |

Dext 2.0 Series - Standard

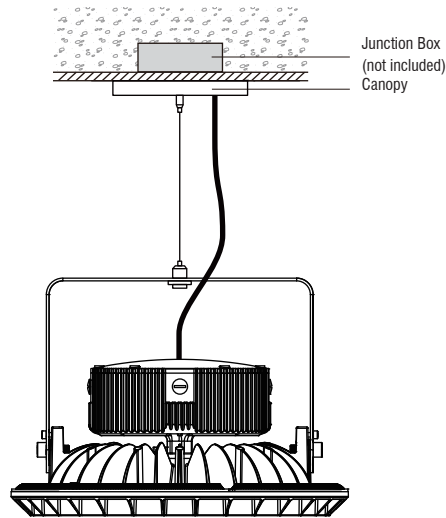
Dimensions



Mounting Options

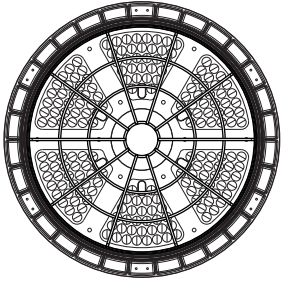


Stem



Adjustable Aircraft Cable

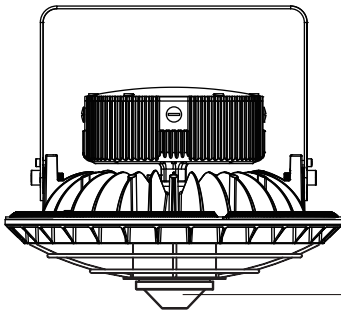
Accessory



Wire Guard

Occupancy Sensor

* Not available with any dimming option.



Occupancy Sensor

Occupancy Sensor Operation

