

ADVANCED HIGH CEILING

Signum 8 Series



8 inch aperture high lumen with lumen output 3230 – 4220lm.



Quantity		Type	
Project		Note	

Electrical System

- 4220lm (45W)
- Power Input: Universal (120-277V)
- Operating Temperature: -13°F~112°F
- Surge Protection: 4KV
- Remote Emergency Pack: Bodine BSL20LV

LED Technology

- 2700K, 3000K, 3500K, 4000K, 5000K
- 85 CRI
- Beam Angle: 25°, 40°, 60°, 100° (with diffuser)
- Rated Life > 60,000 Hours (L70)

Advanced Dimming

(Proprietary VX Driver is incorporated to all dimming options for video flicker-free lighting)

- **Standard 0-10V** dims to 10%
- **DMX:** high resolution dims to 0.1% (Supports ANSI E1.20 RDM protocol)
- **Superior 0-10V:** dims to 1%
- **TRIAC:** Line-voltage phase control, dims to 1% (**120V only**)
- **3-wire:** LUTRON Hi Lume 3-wire, dims to 1% (**UNV only**)
- **ECOsistem:** LUTRON Hi Lume ECOsistem, dims to 1 % (**UNV only**)

Housing

- Diameter: 8.26" (210mm)
- Height: 9.25" (235mm)
- Material: Steel, Aluminum
- Weight: 11.02 lbs

Mounting

- Surface Mount
- Stem 2ft, 4ft; 45° Swivel Canopy Included
- Adjustable Aircraft Cable 10ft
- Wall Mount
- Yoke Mount

Warranty

- 5 year limited warranty

Listing

- ETL Listed
- Damp Location Listed
- DLC Listed
- CE



Not all Signum 8 Series are DLC qualified. For all qualified products. Please visit: www.designlights.org/qpl

Signum 8 Series



How To Specify:

Ordering Example: **SS8-45-358-UNV-SPV-40-BLK-AD10**

4-5 weeks lead time on over 75% of specifications.

Model	Wattage	CCT / CRI	Voltage	Dimming
SS8			UNV	
SS8 Signum 8	45 45W	278 2700K / CRI85 308 3000K / CRI85 358 3500K / CRI85 408 4000K / CRI85 508 5000K / CRI85	UNV 120-277V	STV STV Standard 0-10V dims to 10% SPV Superior 0-10V dims to 1% DMX DMX dims to 0.1% (XLR Sockets) DMX(RJ45) DMX dims to 0.1% (RJ45 Sockets) TRC TRIAC dims to 1% (120V only) ECO LUTRON ECOsystem dims to 1% (UNV only) 3WIR LUTRON 3-wire dims to 1% (UNV only)

Beam Angle	Finish	Mounting	Accessories
25 25° 40 40° 60 60° WD* 100° (with diffuser)	BLK Black WHT White	SUM Surface Mount ST2 Stem 2ft ST4 Stem 4ft AD10 Adjustable Aircraft Cable 10ft WLM Wall Mount YKM Yoke Mount	SPD ¹ Surge Protector EMP Remote Emergency Pack DF ² Diffuser
<small>*Please factor in change in lumen output with diffuser (-20% with DF).</small>			<small>¹ Surge protector for up to 10KV. Applicable for unstable mains or facilities using high power machineries. ² Please factor in change in lumen output with diffuser (-20% with DF).</small>

DesignLights Consortium™ Qualified Luminaires:

DLC QPL Model Number : SS8-45-408

Not all product variations listed on this page are DLC qualified.

To ensure that a specific model is qualified, visit www.designlights.org/search.

Signum 8 Series



Delivered Lumens*

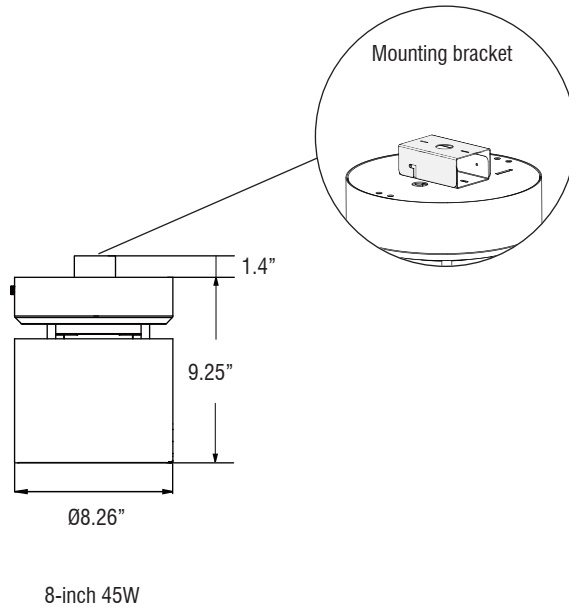
CCT	Wattage	SS8-45
	Beam Angle: 25°	
5000K		4220 lm
4000K		3770 lm
3500K		3490 lm
3000K		3350 lm
2700K		3230 lm

*Tolerance ±8%

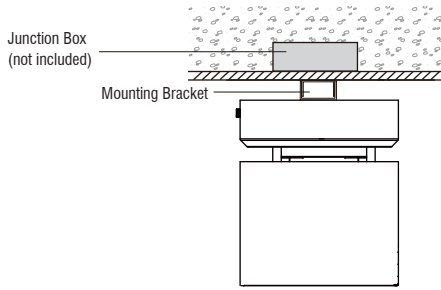
Current Consumption

Wattage \ Volt	120V	277V
45W	0.47A	0.20A

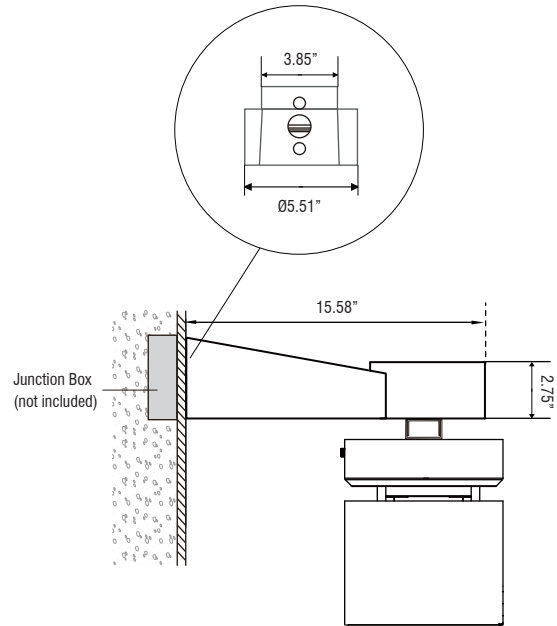
Dimensions



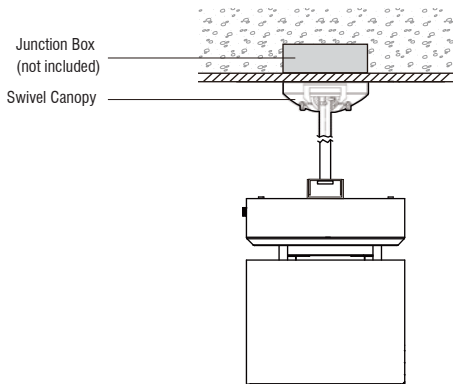
Mounting Options



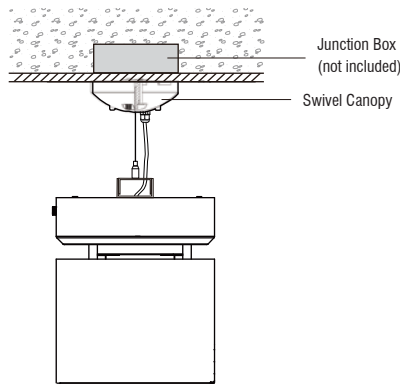
Surface Mount



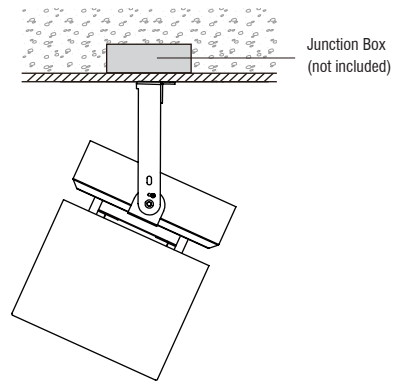
Wall Mount



Stem



Adjustable Aircraft Cable



Yoke Mount

Signum 8 Series



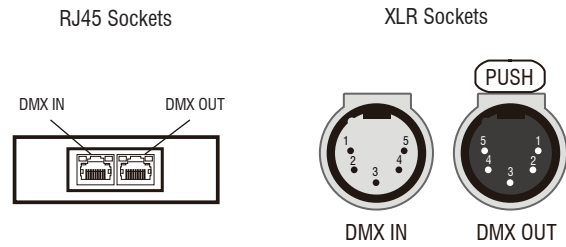
DMX Requirements*

The Signum 8 LED fixture with DMX is a ONE CHANNEL DMX unit.

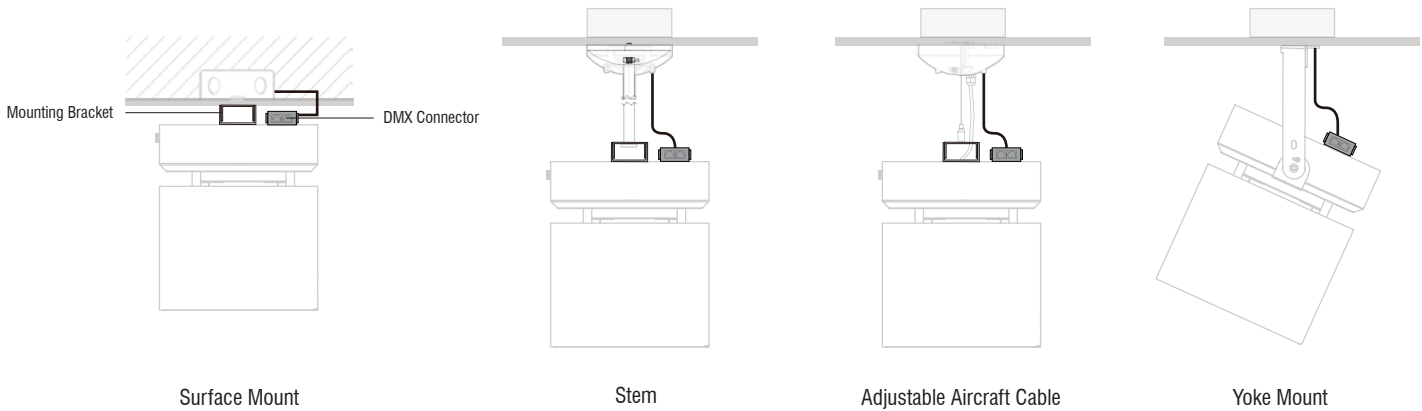
When placing order, please indicate DMX address. (The DMX address will be listed on the back of the fixture.)

The LED fixture provide RJ45 Socket or XLR socket to connect. (DMX cable NOT included.)

The final fixture should be terminated by the use of DMX Terminator (by others).



CONNECTION	RJ45 (CAT5e)	5-PIN XLR
Common	WHITE/BROWN(PIN7) & BROWN(PIN 8)	PIN 1
Signal -	ORANGE(PIN 2)	PIN 2
Signal +	WHITE/ORANGE(PIN 1)	PIN 3
Spare	-	PIN 4
Spare	-	PIN 5



Compatible TRIAC Dimmer List

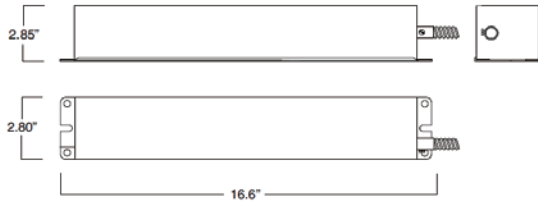
LUTRON PART NO.

RRD-6NA-	RRT-G5NEW-	RRT-GH	HQRD-10ND-	HQRT-GH	HQRD-HN	PD-10NXD-
RRD-6ND	RRT-G25LW-	HQRD-6NA-	MRF2-6ND-120-	HQRT-G25LW-	GT-250M-	PD-5NE-
RRD-10ND-	RRD-HN	HQRD-6ND-	MRF2S-6ND-120-	HQRT-G5NEW-	GTJ-250M-	

Signum 8 Series



Remote Emergency Pack



Emergency Pack Lumen Output Table

CCT	2700K	3000K	4000K	5000K
Lumen	1640 lm	1760 lm	1890 lm	1950 lm

Mounting with standard ceiling recessed Junction BOX

