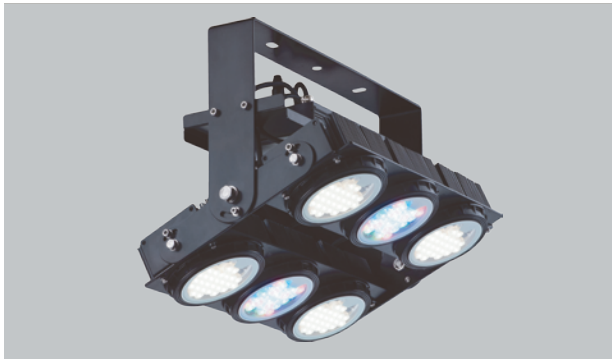


ADVANCED HIGH CEILING

Tetriss 2.0 W+RGB Series - Standard



High-performing fixture that can be configured with any combination of white and RGB modules.

Quantity		Type	
Project		Note	

Electrical System

- 15330 lm (200W)
- 30660 lm (400W)
- 45990 lm (600W)
- Power Input: Universal (120-277V); HVT (347-480V)
- Operating Temperature: -40°F~112°F
- Surge Protection: 10KV
- Remote Emergency Pack: Bodine BSL20LV

LED Technology

- White / CCT 3000K, 4000K , 5000K
- RGB / Wavelength R:630nm G:530nm B:475nm
- 75 CRI, 85 CRI
- Beam Angle: 15°, 25°, 40°, 60°
- Rated Life > 60,000 hours (L70)

Advanced Dimming

(Proprietary VX Driver is incorporated to all dimming options for video flicker-free lighting)

- DMX: high resolution dims to 0.1% (Supports ANSI E1.20 RDM protocol)

Housing

- Material: Aluminum, Tempered Glass
- Weight: 200W / 18lbs, 400W / 37.48lbs, 600W / 57.3lbs

Mounting

- Bracket Mount (AC/Dimming cable length: Standard / 6ft)

Warranty

- 5 years limited warranty.

Listing

- ETL Damp Location Listed
- CE



Tetriss 2.0 W+RGB Series - Standard



How To Specify:

Ordering Example: TSC-400-507-UNV-DMX-25-BLK-BRK

Model	Wattage	CCT / CRI	Voltage	Dimming
<input type="text"/>	<input type="text"/>	<input type="text"/>	<input type="text"/>	<input type="text"/>
TSC Tetriss W+RGB	200 200W 400 400W 600 600W	308 3000K / CRI85 408 4000K / CRI85 507 5000K / CRI75	UNV 120-277V HVT 347-480V	DMX DMX <0.1% (XLR Sockets)

Beam Angle	Finish	Mounting	Accessories
<input type="text"/>	<input type="text"/>	<input type="text"/>	<input type="text"/>
15 15° 25 25° 40 40° 60 60°	BLK Black	BRK Bracket Mount	GSB* Glare Shield Baffle GSV* Glare Shield Visor EMP Remote Emergency Pack SLP Slipfitter

*Please factor in change in lumen output of 25%.

Tetriss 2.0 W+RGB Series - Standard



Delivered Lumens* (Single White Module)

Wattage	70W
5000K	6700 lm
4000K	5900 lm
3000K	5440 lm

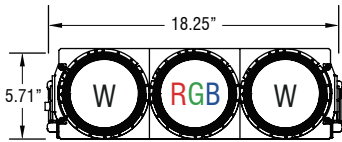
*Tolerance ± 8%

Delivered Lumens* (Single RGB Module)

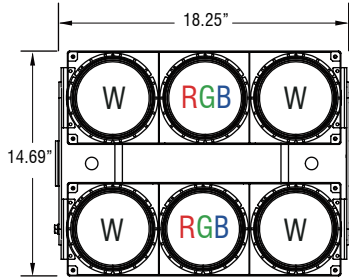
Wattage	50W
RGB	1930 lm

*Tolerance ± 8%

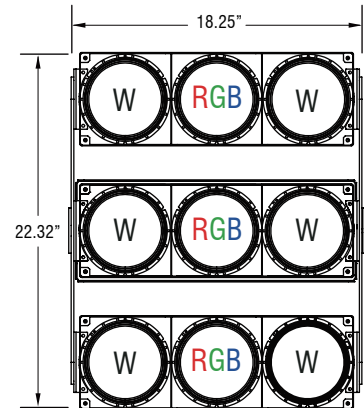
Dimensions



200W / 3 Modules



400W / 6 Modules

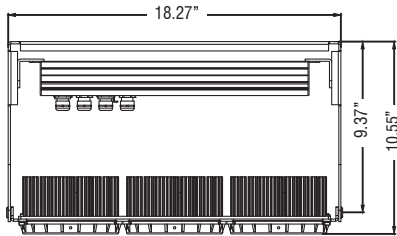


600W / 9 Modules

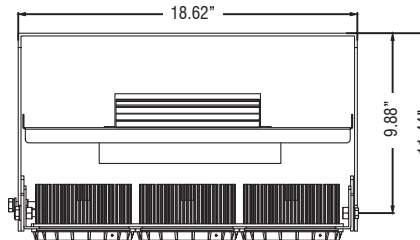
Tetriss 2.0 W+RGB Series - Standard



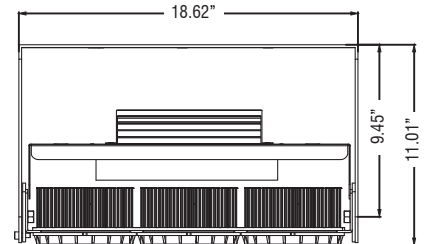
Mounting Options



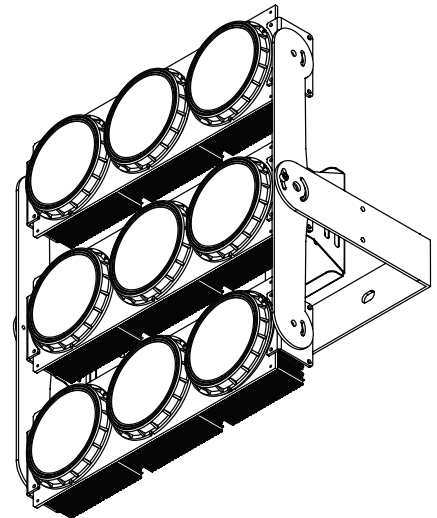
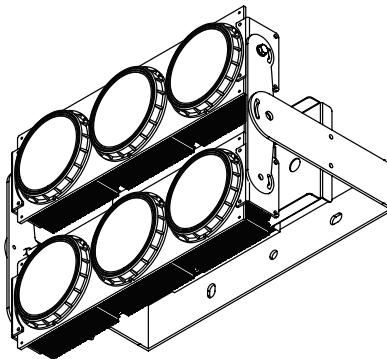
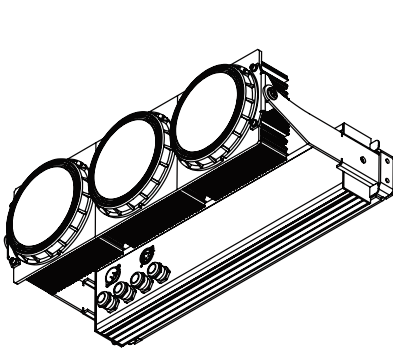
Bracket Mount / 3 Modules



Bracket Mount / 6 Modules



Bracket Mount / 9 Modules



Accessory

Glare Shield Baffle

Glare Shield Visor

